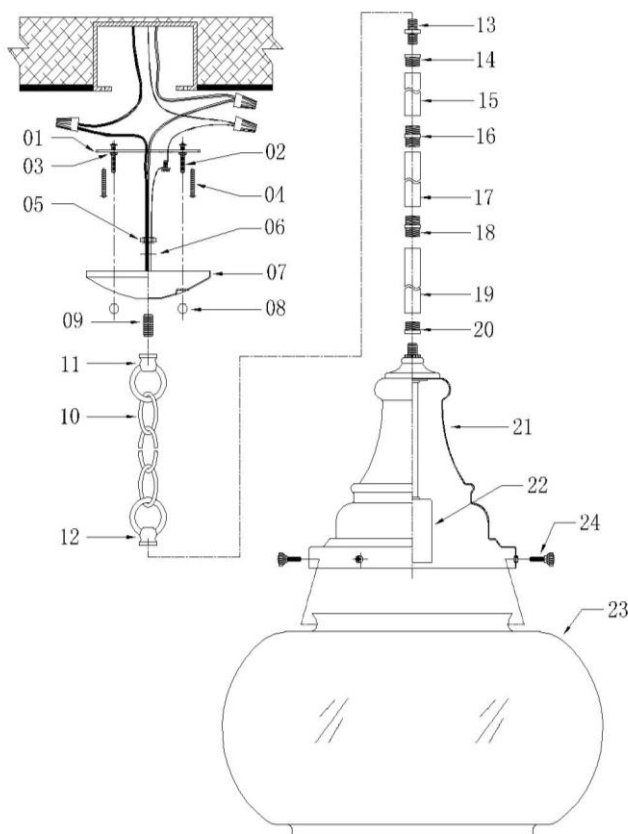


AUSTIN ALLEN & CO.

ASSEMBLY AND INSTALLATION INSTRUCTIONS for the 9B273A Fixture

Important Safety information (Please read before proceeding)

1. Remove the fixture, parts and all mounting hardware bags (orange) from the carton and verify that all parts are present according to the illustration sheet. All parts must be used as indicated. Do not replace any parts, leave any parts out, or use any parts which are worn out or broken. **Failure to follow the instructions could cause a hazardous situation, voids the warranty and violates the U.L. listing of the fixture.**
2. To prevent the electric shock, turn off the main power at the circuit breaker before installing the fixture. **NEVER attempt to install, clean or replace bulbs without shutting off the electricity to the fixture.**
3. **Never use light bulbs with wattage ratings that exceed the fixtures maximum rating.** Always make sure the electric current is turned off before changing the bulbs.
4. If you experience difficulties installing the lighting fixture or it fails to work as expected, please contact a local qualified licensed electrical contractor.
5. Please contact your local Capital Lighting Fixture reseller with any assembly or installation questions. Your local reseller can also provide you with replacement parts for your new fixture.



Components

- 01. Mounting Bar w/Green Screw
- 02. Mounting Screws
- 03. Hex Nuts (8/32)
- 04. Outlet Box Mounting Screws
- 05. Hex Nut (1/8IP)
- 06. Lock Washer
- 07. Canopy
- 08. Ball Knobs
- 09. Nipple
- 10. Chain
- 11. Loop
- 12. Loop
- 13. Coupling (1/8-27IP)
- 14. Reducer (5/8IP to 1/8-27IP)
- 15. 6" Rod
- 16. Coupling (5/8IP)
- 17. 12" Rod
- 18. Coupling (5/8IP)
- 19. 18" Rod
- 20. Reducer (5/8IP to 1/8-27IP)
- 21. Fixture
- 22. Socket
- 23. Glass Shade
- 24. Knurled Head Screw

Assembly Instructions to HANG the 9B273A Fixture by the Chain

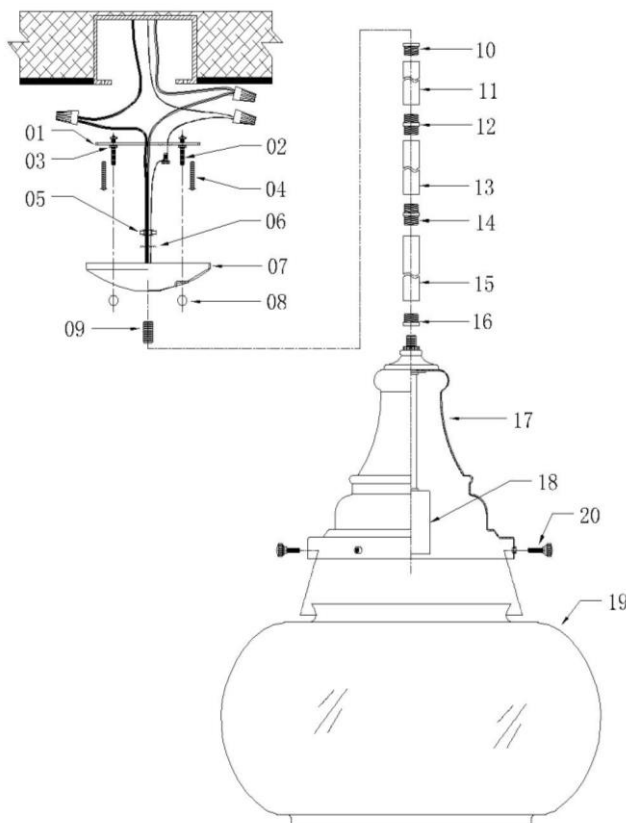
1. Pass lead wire from top of Fixture (21) thru Reducer (20), 18"Rod (19), Coupling (18), 12"Rod (17), Coupling (16), 6"Rod (15), Reducer (14), Coupling (1/8-27IP) (13) and Loop (12), then screw all together tightly. *Note: The Fixture Height can be adjusted by varying the number of rods or chain used in the assembly.*
2. Pass lead wire through Chain (10), Loop (11), Nipple (09) and Canopy (07), then slip Lock Washer (06), Hex Nut (05) onto Nipple (09). Finally, tighten Hex Nut (05) to secure Loop (11) to Canopy (07).
3. Find appropriate threaded holes on Mounting Bar (01), and assemble Mounting Screws (02) into threaded holes with Hex Nuts (03).
4. Attach Mounting Bar (01) to Outlet Box with Outlet Box Mounting Screws (04).
5. Raise whole Fixture (21) toward outlet box, then connect fixture ground wire to outlet box ground wire with wire connector supplied; connect white fixture wire to power supply white wire with wire connector supplied; connect black fixture wire to power supply black wire with wire connector supplied.
6. Push fixture to ceiling, carefully passing Mounting Screws (02) through holes in Canopy (07), then verify all wires are securely inside Canopy (07). Finally, secure fixture to ceiling with Ball Knobs (08).
7. Raise Glass Shade (23) over Socket (22), then secure it onto Glass Holder of Fixture (21) with Knurled Head Screw (24) securely.

AUSTIN ALLEN & CO.

ASSEMBLY AND INSTALLATION INSTRUCTIONS for the 9B273A Fixture

Important Safety information (Please read before proceeding)

1. Remove the fixture, parts and all mounting hardware bags (orange) from the carton and verify that all parts are present according to the illustration sheet. All parts must be used as indicated. Do not replace any parts, leave any parts out, or use any parts which are worn out or broken. **Failure to follow the instructions could cause a hazardous situation, voids the warranty and violates the U.L. listing of the fixture.**
2. To prevent the electric shock, turn off the main power at the circuit breaker before installing the fixture. **NEVER attempt to install, clean or replace bulbs without shutting off the electricity to the fixture.**
3. **Never use light bulbs with wattage ratings that exceed the fixtures maximum rating.** Always make sure the electric current is turned off before changing the bulbs.
4. If you experience difficulties installing the lighting fixture or it fails to work as expected, please contact a local qualified licensed electrical contractor.
5. Please contact your local Capital Lighting Fixture reseller with any assembly or installation questions. Your local reseller can also provide you with replacement parts for your new fixture.



Components

01. Mounting Bar w/Green Screw
02. Mounting Screws
03. Hex Nuts (8/32)
04. Outlet Box Mounting Screws
05. Hex Nut (1/8IP)
06. Lock Washer
07. Canopy
08. Ball Knobs
09. Nipple
10. Reducer (5/8IP to 1/8-27IP)
11. 6" Rod
12. Coupling (5/8IP)
13. 12" Rod
14. Coupling (5/8IP)
15. 18" Rod
16. Reducer (5/8IP to 1/8-27IP)
17. Fixture
18. Socket
19. Glass Shade
20. Knurled Head Screw

Assembly Instructions to ROD MOUNT the 9B273A Fixture

1. Pass lead wire from top of Fixture (17) thru Reducer (16), 18"Rod (15), Coupling (14), 12"Rod (13), Coupling (12), 6"Rod (11), Reducer (10) and Nipple (09), then screw all together tightly. *Note: The Fixture Height can be adjusted by varying the number of rods or chain used in the assembly.*
2. Pass lead wire from Nipple (09) thru Canopy (07), and slip Lock Washer (06), thread Hex Nut (05) onto end of Nipple (09). After that, tighten Hex Nut (05) onto Nipple end (09) so as to secure Canopy (07) well.
3. Find appropriate threaded holes on Mounting Bar (01), and assemble Mounting Screws (02) into threaded holes with Hex Nuts (03).
4. Attach Mounting Bar (01) to Outlet Box with Outlet Box Mounting Screws (04).
5. Raise whole Fixture (17) toward outlet box, then connect fixture ground wire to outlet box ground wire with wire connector supplied; connect white fixture wire to power supply white wire with wire connector supplied; connect black fixture wire to power supply black wire with wire connector supplied.
6. Push fixture to ceiling, carefully passing Mounting Screws (02) through holes in Canopy (07), then verify all wires are securely inside Canopy (07). Finally, secure fixture to ceiling with Ball Knobs (08).
7. Raise Glass Shade (19) over Socket (18), then secure it onto Glass Holder of Fixture (17) with Knurled Head Screw (20) securely.